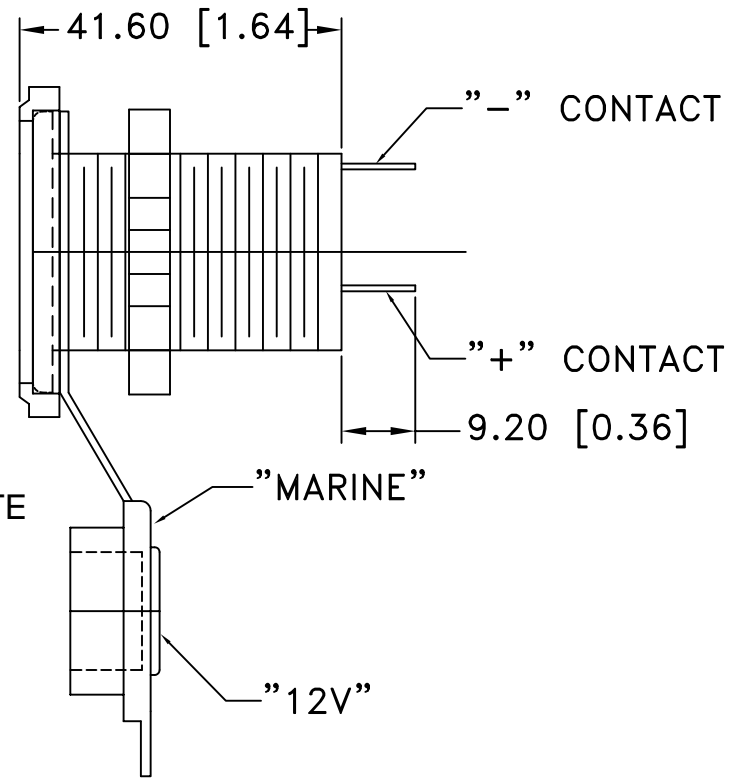
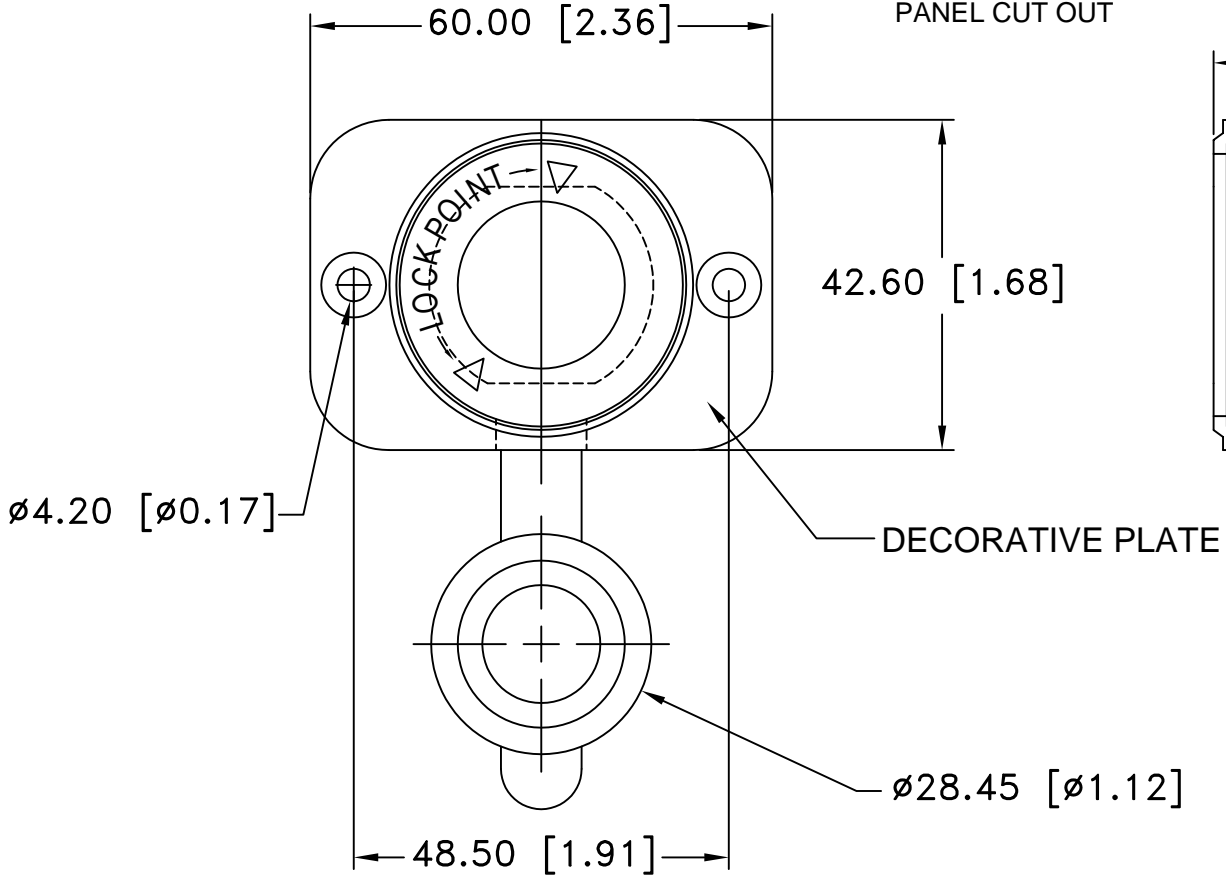
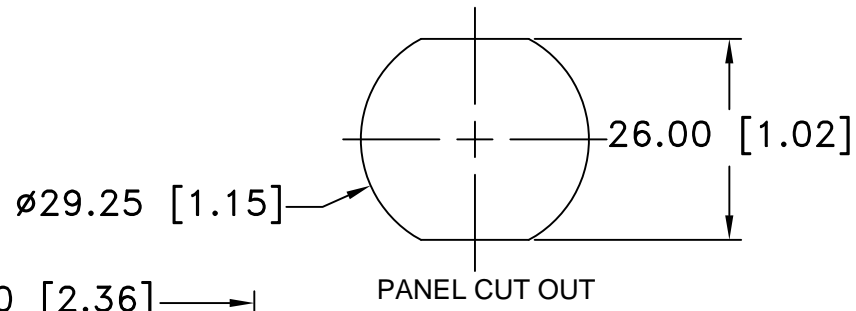



Date	SYM	REVISION RECORD	AUTH	DR.	CK.
11/01/03	B	REVISED TITLE AND ADDED RATING	T.B.	B.S.	
05/08/04	C	15AMP WAS 10AMP AND REVISED TITLE	T.B.	B.S.	
05/15/04	D	ADDED PANEL CUT OUT ADDED NICKEL PLATING TO NOTE	T.B.	B.S.	
06/12/04	E	DIM. 48.50 WAS 52.48	T.B.	B.S.	
07/08/06	F	ADDED "ROHS COMPLIANT"	T.B.	B.S.	



MATERIAL SPECIFICATION:
COVER: PVC
BODY: NYLON #66
CONTACTS: BRASS, NICKEL PLATED
NUT: NYLON #66
BASE: NYLON #66
DECORATIVE PLATE: NYLON #66
RATING: 12V, 15AMP
ROHS COMPLIANT

Tolerance (Except as noted)	 Memory Protection Devices, Inc 200 Broad Hollow Road, Farmingdale, New York 11735		
decimal ±.5 (.020)	Scale	Drawn By B.S.	
Fractional ± .8 (.030)	Title	12V CIGARETTE SOCKET, 15AMP	
Angular ± 3°	Date	Drawing Number	
	07/08/06	AS212	
		Approved By T.B.	